

SOLD TO :  
 ULTIMATE CUSTOMER :  
 (IF AVAILABLE)

P.O. # :  
 P.O. # :

AMETEK NO. :

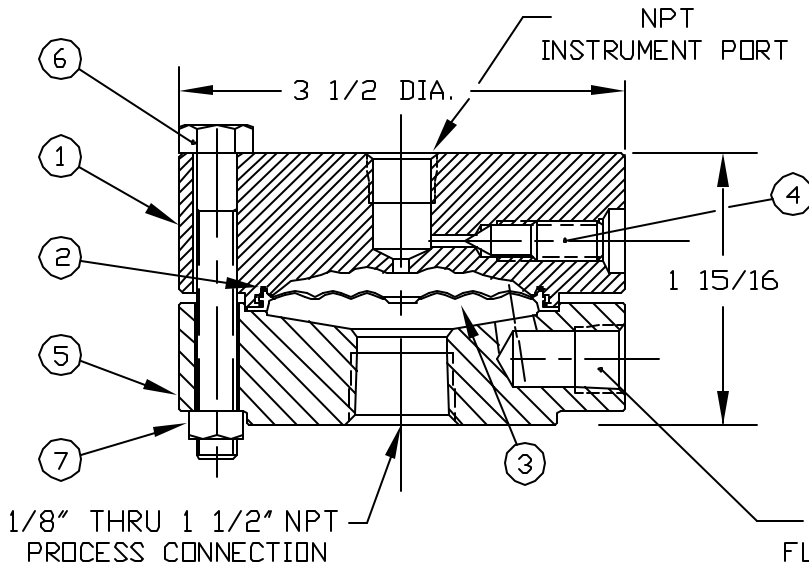
DRW. TO :

CUST. SPEC. NO. :

ORDER ITEM NO. :

QUANTITY :

FILL FLUID :



	DESCRIPTION	QTY.
①	TOP	1
②	O-RING	1
③	DIAPHRAGM	1
④	FILLING SCREW	1
⑤	BOTTOM	1
⑥	SCREW, 5/16-18 HEX. HD. CAP SCR.	8
⑦	NUT, STAINLESS STEEL	8

2500 P.S.I. @ 100° F  
 TYPE TG

### INSTRUMENT DESCRIPTION

- INSTALLATION : - CONNECT ASSEMBLED SEAL TO STANDARD MALE NPT PIPE THREAD USING A STRAP WRENCH.
- OPERATION : - WHEN CLEANING IS REQUIRED, REMOVE AND CLEAN AS A UNIT.
- CAUTION : - DO NOT LOOSEN SEAL SCREWS PART #6, FILLING SCREW PART #4 OR INSTRUMENT, AS LOSS OF LIQUID FILL WILL RESULT AND RECALIBRATION WILL BE NECESSARY.

DRAWING CERTIFIED CORRECT,  
 DATE :

AMETEK



# AMETEK

TEST AND CALIBRATION INSTRUMENTS DIVISION

LARGO , FLORIDA

CODE IDENT. NO.  
 92456

REVISION  
 DATE

AMETEK DIAPHRAGM SEAL TYPE TG  
 DATA AND INSTRUCTION SHEET  
 DRAWING NO. : SK-5382