



Product Data

Diaphragm Seals

Type SCW Series Diaphragm Seal Elements for Fugitive Emissions



DESCRIPTION

AMETEK developed the Type SCW Series flange-attached diaphragm seals for applications requiring control of fugitive emissions and for leak protection against toxic and explosive media as defined by the EPA Clean Air Act of 1990.



Type SCW

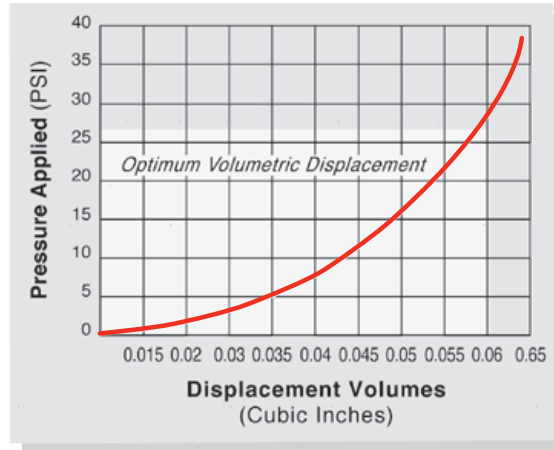
The SCW seals are all-welded with stainless steel housings* and continuous duty convoluted diaphragm. They feature an ANSI standard slip on flange for easy installation. The top housing is welded to the bottom, providing a permanent seal without a gasket.

This seal is also available HASTELLOY® C, MONEL®, and other materials (consult factory).

* Also available in Hastelloy® C and Monel®.

FEATURES

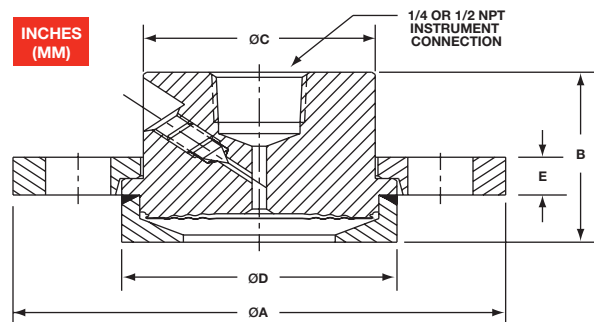
- Ideal for applications requiring control of fugitive emissions
 - Leak protection against toxic and explosive media as defined by EPA Clean Air Act of 1990
- Continuous duty
- Permanent seal without gasket
- Materials available for corrosive applications
- Pressure ranges from 10 psig (.7 bar) to ANSI Class 300
- Standard volumetric displacement is .06 cubic inch



Pressure vs. Volumetric Displacement

Displacement curves are provided to assist in selecting a diaphragm seal with minimal full span displacement bias effects. This graph is for reference only and may not accurately represent the maximum displacement that may be used. Contact AMETEK for exact specifications.

SIZE (INCHES)	CLASS	A	B	C	D	E
1	150	4.25 (108.0)	2.25 (57.15)	2.0 (50.8)	2.38 (60.5)	0.5 (12.7)
1	300	4.88 (124.0)	2.25 (57.15)	2.0 (50.8)	2.38 (60.5)	0.62 (15.8)
1.5	150	5.0 (127.0)	2.12 (53.8)	2.0 (50.8)	2.88 (73.15)	0.62 (15.8)
1.5	300	6.12 (155.5)	2.12 (53.8)	2.0 (50.8)	2.88 (73.15)	0.75 (19.1)
3	150	7.5 (190.5)	2.62 (66.6)	2.0 (50.8)	5.0 (127.0)	0.88 (22.4)
3	300	8.25 (209.6)	2.81 (71.4)	2.0 (50.8)	5.0 (127.0)	1.06 (26.9)



ALL ORDERS CAN BE SENT TO:

On-line fax: 215-323-9450 or e-mail to usg.sales@ametek.com

Sales/Technical Support: 215-257-6531
900 Clymer Avenue
Sellersville, PA 18960 U.S.A.

Customer Service: 727-536-7831
8600 Somerset Drive
Largo, FL 33773 U.S.A.

