



Product Data

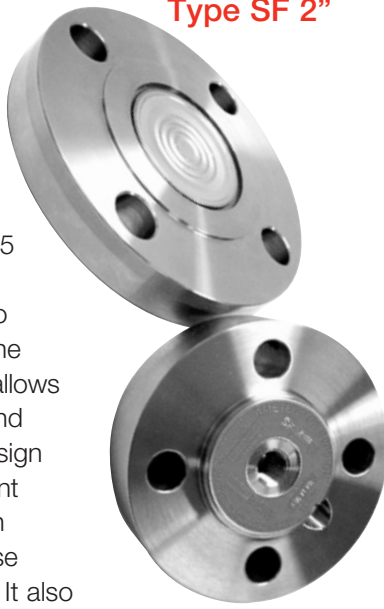


Diaphragm Seals Type SF Series Flush Flange Diaphragm Seal Elements

DESCRIPTION

Mansfield & Green SF Series seal elements feature a one-piece, all welded construction with an integrated raised face ANSIB16.5 class flange seal, surface machined into the upper housing. The seal's unique design allows for easy installation and maintenance. The design permits free movement of the diaphragm with simultaneous response to pressure changes. It also protects the seal element from distortion due to improper handling during maintenance routines. SF Series diaphragm seals are continuous duty elements with an all-welded construction free of gaskets. SF Series diaphragm seals can be specified with 1/4" or 1/2" NPT instrument connections and are flange mounted. The SF Series diaphragm seals can be mounted to most transmitters, transducers, pressure switches, pressure gauges, process controllers, or other forms of pressure sensing devices.

The SF flush flanged seal element is used for pressure applications only and features a standard raised face type flange. It is supplied for standard ANSI Class ratings of 1/2"-150# to 3"-2500# and 4"-150# through 300#. Metric sizes are available upon request.

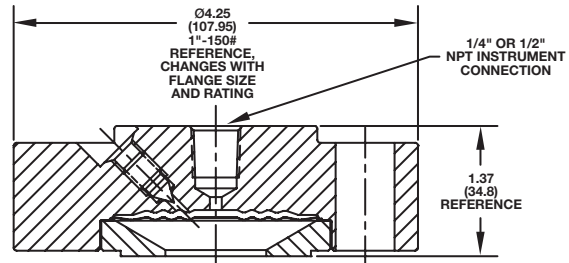


Type SF 2"

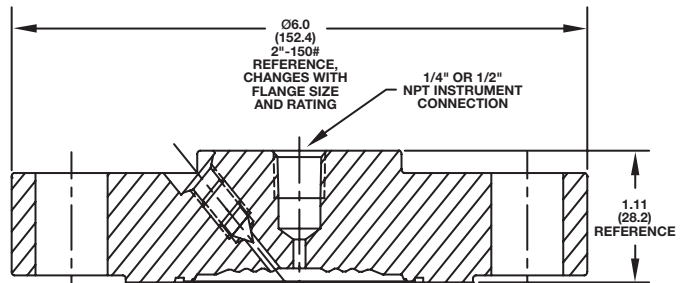
Type SF 1"

FEATURES

- Ideal For Viscous Process Environments
 - Self cleaning flush diaphragm face
- Ideal For Gas and Liquid Applications
 - One-piece construction
 - Built-in over pressure protection (continuous duty diaphragm profile)
 - Designed for corrosive applications
- Easy installation and maintenance
 - Continuous duty
 - All-welded construction
 - No gaskets
 - 1/4" and 1/2" NPT instrument connections
 - Flanged attached process connection
 - ANSI B16.5 compliant
 - Compatible with most transmitters, transducers, pressure switches, pressure gauges, etc.



Type SFX
1"-150# to 2500#
Maximum Pressure: 2500 psi @100°F



Type SFX
2" Through 4"-150# to 2500#
Maximum Pressure: 2500 psi @100°F

INCHES
(MM)



© 2008, by AMETEK, Inc. All rights reserved.
Printed in the U.S.A. 908PDF (160166)

ALL ORDERS CAN BE SENT TO:

On-line fax: 215-323-9450 or e-mail to usg.sales@ametek.com

Sales/Technical Support: 215-257-6531
900 Clymer Avenue
Sellersville, PA 18960 U.S.A.

Customer Service: 727-536-7831
8600 Somerset Drive
Largo, FL 33773 U.S.A.



Specifications are subject to change without notice. Visit our Web site for the most up-to-date information.