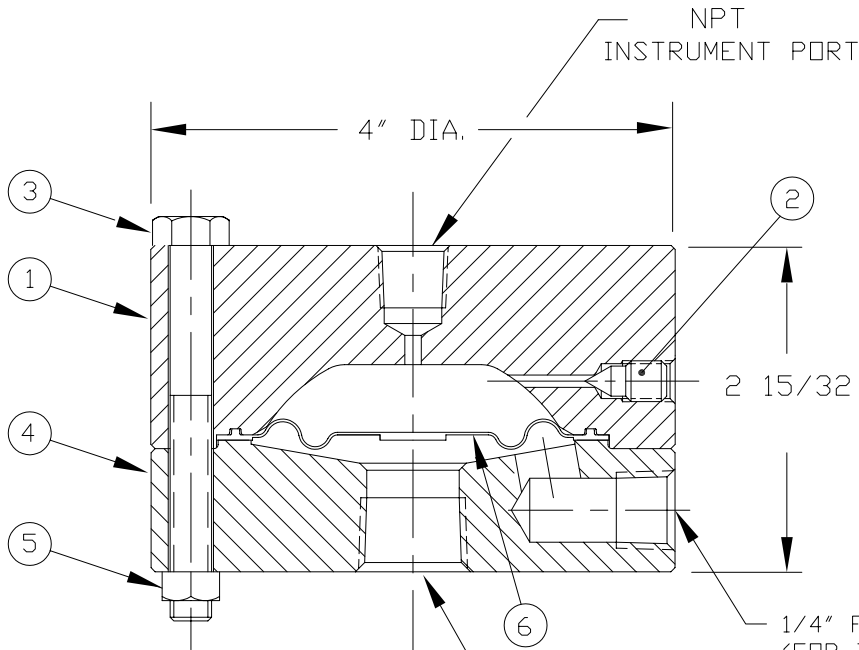


SOLD TO : ULTIMATE CUSTOMER : (IF AVAILABLE)		P.O. # : P.O. # :
AMETEK NO. :	DRW. TO :	CUST. SPEC. NO. :
ORDER ITEM NO. :	QUANTITY :	FILL FLUID :



DESCRIPTION	QTY.
① TOP	1
② FILLING SCREW	1
③ SEAL SCREW, 5/16-18 X 2 1/8" HEX. HD. CAP	8
④ BOTTOM	1
⑤ NUT, 5/16-18 STAINLESS STEEL	8
⑥ DIAPHRAGM	1

1/8" THRU 2" NPT<TYPE LB>
1/8" THRU 1-1/8" NPT<TYPE LG>
PROCESS CONNECTION

1250 PSI @ 100° F
TYPE LB & LG

INSTRUMENT DESCRIPTION

- INSTALLATION : - CONNECT ASSEMBLED SEAL TO STANDARD MALE NPT PIPE THREAD.
- OPERATION : - WHEN CLEANING IS REQUIRED, REMOVE FROM PIPE THREAD AND CLEAN AS A UNIT.
- CAUTION : - DO NOT LOOSEN SEAL SCREW, PART #3, OR INSTRUMENT CONNECTION. DO NOT PERMIT ANY SHARP OBJECTS TO COME INTO CONTACT WITH THE DIAPHRAGM. THE DIAPHRAGM IS MADE OF ELASTOMER AND CAN BE PUNCTURED. ANY OF THESE CAN RESULT IN LOSS OF LIQUID FILL AND RECALIBRATION & REPLACEMENT OF DIAPHRAGM WILL BE NECESSARY.

DRAWING CERTIFIED CORRECT,
DATE :

AMETEK



AMETEK

TEST AND CALIBRATION INSTRUMENTS DIVISION LARGO , FLORIDA

CODE IDENT. NO. 92456	REVISION	A	B	C	D	AMETEK DIAPHRAGM SEAL TYPE LB DATA AND INSTRUCTION SHEET DRAWING NO. : SK-5274
	DATE	4/8/76	4/3/78	6/28/79	5/25/95	