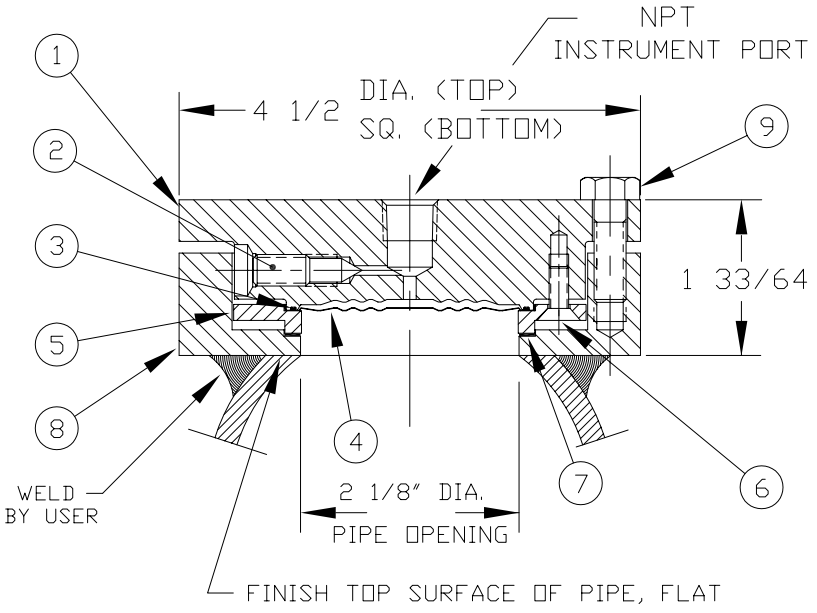


SOLD TO :		P.O. # :
ULTIMATE CUSTOMER : (IF AVAILABLE)		P.O. # :
AMETEK NO. :	DRW. TO :	CUST. SPEC. NO. :
ORDER ITEM NO. :	QUANTITY :	FILL FLUID :



	DESCRIPTION	QTY.
①	TOP	1
②	FILLING SCREW	1
③	O-RING	1
④	DIAPHRAGM	1
⑤	MIDDLE RING	1
⑥	SCREW, #10-32 FLAT HEAD	8
⑦	GASKET	1
⑧	BOTTOM	1
⑨	SCREW, 5/16-18 HEX. HD. CAP	8


FOR 3" PIPE OR LARGER
1500 PSI @ 100° F.

TYPE RJ INSTRUMENT DESCRIPTION

- INSTALLATION :
- CUT OR BURNOUT A 2 1/8" DIAMETER HOLE IN PIPE.
 - FINISH PIPE OPENING THAT MATES TO BOTTOM, FLAT.
 - WELD BOTTOM PART #8 IN POSITION.
 - INSTALL GASKET PART #7, AND CALIBRATED UNIT PART #'S 1, 2, 3, 4, 5, & 6 IN PLACE.
 - SECURE WITH SCREWS PART #9.
- OPERATION :
- WHEN CLEANING IS REQUIRED REMOVE SCREWS PART #9, AND THE CALIBRATED UNIT.
 - CLEAN AND REINSTALL - USING NEW GASKET.
- CAUTION :
- DO NOT LOOSEN INSTRUMENT FILLING SCREW PART #2, OR MIDDLE RING RETAINING SCREWS PART #6, AS LOSS OF LIQUID FILL WILL RESULT AND RECALIBRATION WILL BE NECESSARY.
 - ONE DUMMY BLOCK (#1 TOP WITHOUT DIAPHRAGM) MADE OF SS CAN BE SEPARATELY SUPPLIED BY VENDOR FOR CUSTOMER TO WELD #8 BOTTOM TO PIPING.

DRAWING CERTIFIED CORRECT,
DATE :

AMETEK

	AMETEK				TEST AND CALIBRATION INSTRUMENTS DIVISION		LARGO , FLORIDA	
	CODE IDENT. NO. 92456	REVISION DATE	- 07/22/97	A 06/01/98				