

THIS DRAWING IS THE PROPERTY OF AMETEK INC. ALL RIGHTS ARE RESERVED AND NEITHER THIS DRAWING NOR ANY INFORMATION IT CONTAINS IS TO BE COPIED, REPRODUCED, DISCLOSED TO OTHERS, OR USED WITHOUT WRITTEN PERMISSION FROM AMETEK INC. LIMITS OF ACCEPTABLE WORKMANSHIP ARE DEFINED IN MS-645-A.

REVISION HISTORY				
ZONE	LTR	DESCRIPTION	DATE	APPROVED
	A	RELEASE	1/14/09	RR
C2	B	ZERO OFFSET WAS 1.25%		

**FUNCTIONAL SPECIFICATIONS**

OUTPUT ----- 4-20mADC, LIMITED TO 30 mADC  
 POWER SUPPLY ----- 12 TO 40 VDC, (NON I.S.)  
 12 TO 28 VDC, (APPROVED POWER SUPPLY REQUIRED)  
 LOOP RESISTANCE ----- 1400 OHMS MAX AT 40 VOLTS

**TEMPERATURE LIMITS**

MAX. OPERATING TEMP.  
 SILICONE FILL ----- -25° TO 180°F (-32° TO 82°C)  
 COMPENSATED RANGE ----- 32° TO 122°F (0° TO 50°C)  
 STORAGE TEMP. ----- -40° TO 180°F (-40° TO 82°C)  
 PROOF PRESSURE ----- 200% OF UPPER RANGE LIMIT  
 OVERRANGE EFFECT ----- ±0.15% FS AT 200% OF MAXIMUM RANGE  
 BURST PRESSURE ----- 3X UPPER RANGE LIMIT

**PERFORMANCE SPECIFICATIONS**

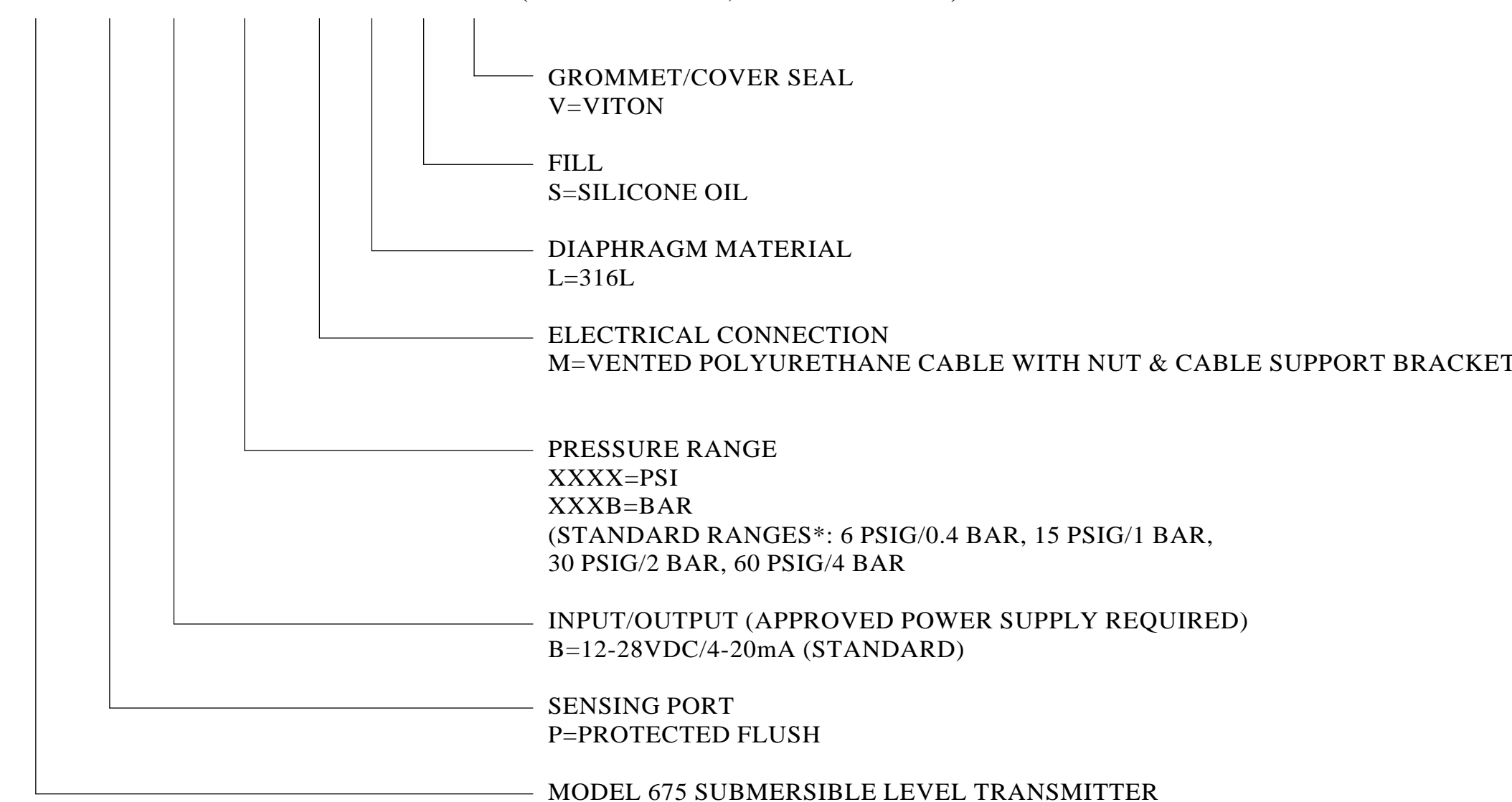
ACCURACY  
 MODEL 675 ----- ±0.25% FS, BFSI (INCLUDING LINEARITY, HYSTERESIS AND REPEATABILITY)  
 ZERO OFFSET ----- ±1.0% FS SET AT 77°F (25°C)  
 SPAN ----- 16.0mA ±0.50% FS SET AT 77°F (25°C)  
 TEMPERATURE EFFECT ----- MAX. ±2.5% URL OUTPUT CHANGE FROM 77°F (25°C) WITHIN COMPENSATED RANGE  
 POWER SUPPLY EFFECT ----- ±0.005% FS PER VOLT

**PHYSICAL SPECIFICATIONS**

MATERIALS OF CONSTRUCTION  
 WETTED PARTS ----- HOUSING - TYPE 316L STAINLESS STEEL  
 DIAPHRAGM - TYPE 316L STAINLESS STEEL  
 TRANSMITTER COVER - 316 STAINLESS STEEL  
 COVER O-RING - VITON  
 NUT/WASHER - TYPE 316 STAINLESS STEEL  
 CABLE GROMMET - VITON (STANDARD), SEE MODEL CODE  
 CABLE JACKET - POLYURETHANE (STANDARD) SEE MODEL CODE  
 FLANGE - 316L STAINLESS STEEL  
 NUTS, SCREWS, STANDOFFS, PLATE - 316 STAINLESS STEEL  
 FILL FLUID ----- DC200 SILICONE (STANDARD)  
 ELECTRICAL CONNECTION --- ATTACHED 2-WIRE, 20 GAUGE POLYURETHANE SHIELDED CABLE  
 (STANDARD, SEE MODEL CODE)  
 UNSPLICED LENGTHS AVAILABLE UP TO 5000 FT (1662 METERS)  
 WEIGHT ----- 7 lbs-12 oz WITHOUT CABLE

**MODEL CODE**

675 P B 0006 M L S V (CABLE LENGTH, SPECIFY IN FEET)



**APPROVAL RATING**

INTRINSICALLY SAFE FOR  
 CLASS I, GR A, B, C, D  
 CLASS II, GR E, F, G,  
 CLASS III  
 WHEN CONNECTED PER AMETEK DWG BK750535.  
 TEMP CODE T3C



Vmax = 28V    I<sub>max</sub> = 100mA  
 Li = 2.5uH    Ci = 52nF (Ci = 55nF WITH LIGHTNING PROTECTOR K500092)

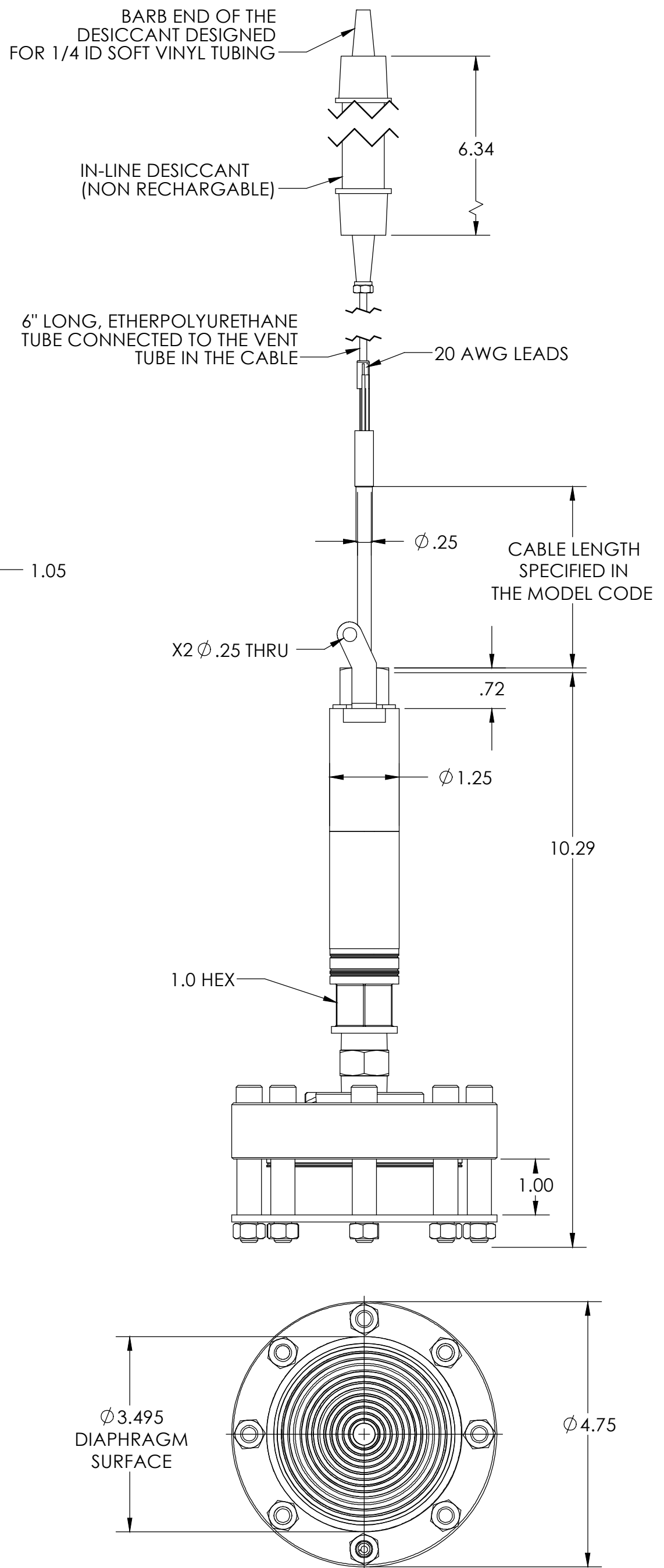
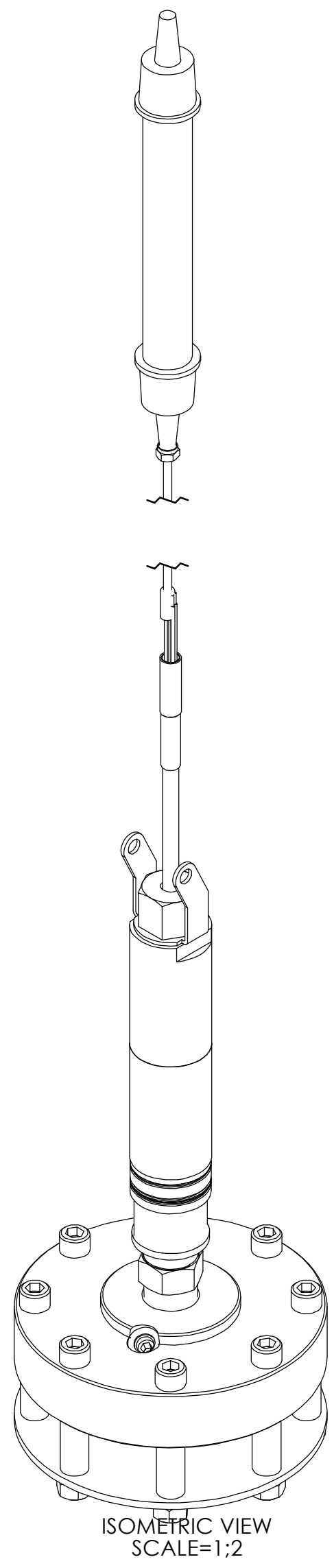
\* ALTERNATE PRESSURE RANGES ARE AVAILABLE, CONSULT FACTORY.  
 DECIMAL POINTS FOR NON UNIT RANGES MAY BE USED.  
 DECIMAL POINT REQUIRES ONE MODEL CODE POSITION, ie 1.08=4 POSITIONS.

**REVISIONS TO THIS DRAWING REQUIRE AGENCY NOTIFICATION.  
 REFER TO DOCUMENT EN-201-17.**

UNLESS OTHERWISE SPECIFIED DIMENSIONS ARE IN INCHES. TOLERANCES ON			DATE		U.S. GAUGE DIVISION PMT PRODUCTS 820 PENNSYLVANIA BOULEVARD, FEASTERSVILLE, PA 19053
2 DEC. PL. ±.01	3 DEC. PL. ±.005	ANGLES ±1°	DRAWN BENNETT	12/10/08	
MATERIAL			CHECKED ROSENBLUM	1/14/09	TITLE CUSTOMER DATA SHEET, 675 PROTECTED FLUSH XMITTER
			APPROVED ROSENBLUM	1/14/09	
FINISH			SUPERCEDES		SIZE C
			USED ON 674/675		CAGE CODE 65048
E-FILE BIRD CAGE.SLDASM			NEXT ASS'Y		DWG NO. K785001
					SCALE 3:4

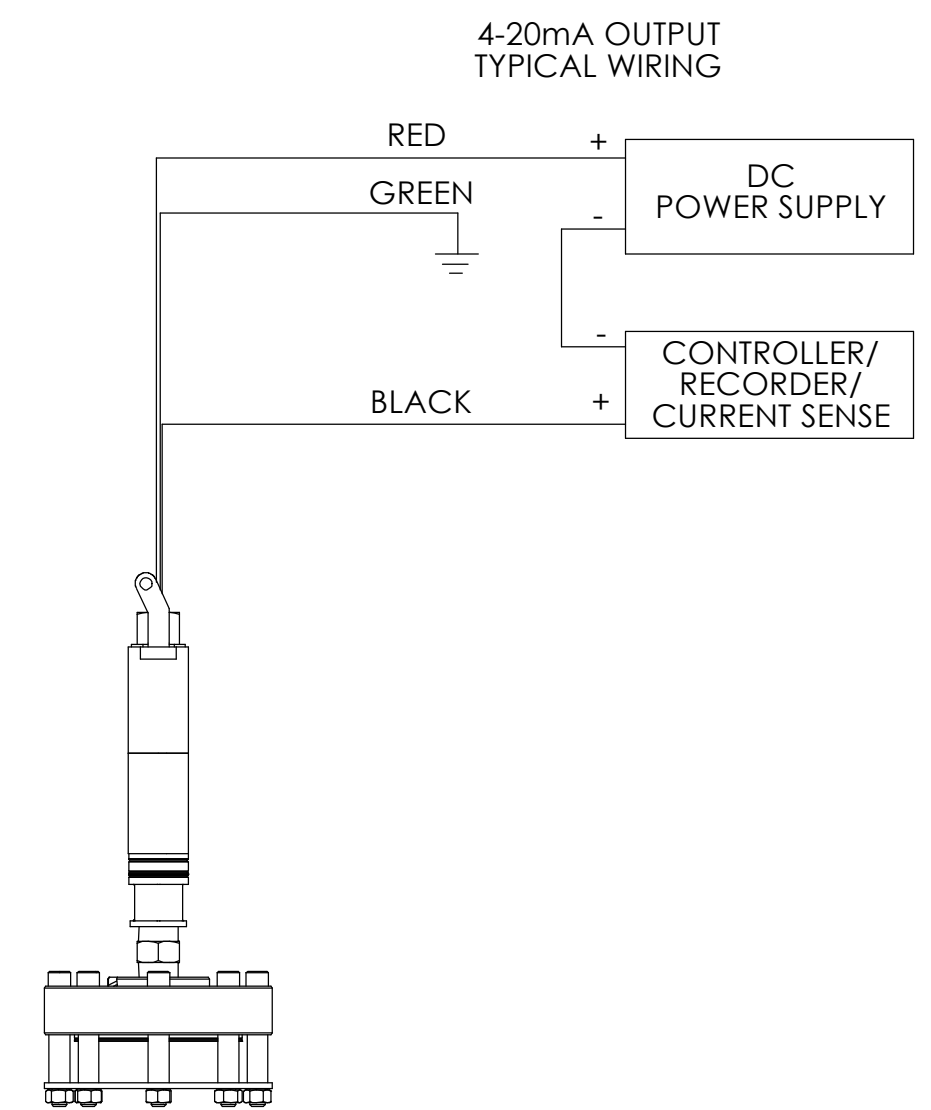
D  
C  
B  
A

D  
C  
B  
A



ELECTRICAL CONNECTIONS  
WIRE LEGEND

COLOR	FUNCTION
RED	+Vin
BLACK	-Vin
GREEN	GND



**AMETEK** U.S. GAUGE DIVISION  
PMT PRODUCTS  
820 PENNSYLVANIA BOULEVARD, FEASTERSVILLE, PA 19053

SIZE <b>C</b>	CAGE CODE <b>65048</b>	DWG NO. <b>C K785001</b>	REV <b>B</b>
SCALE 3:4	WEIGHT	SHEET 2 OF 2	

J:\ENG\K#\SolidWorks\