



PROCESS GAUGES

SOLFRUNT[®] 4-1/2" Model 1931

DESCRIPTION

The Model 1931 4-1/2" process gauge has a solid front back-flanged case for applications needing stem or wall mounting. This model is available with wetted surface material in 316L stainless steel. Also available, dry or liquid filled from the factory or your local stocking distributors, or can be ordered with a liquid fill kit for filling in the field.

The Model 1931 4-1/2" SOLFRUNT gauge is supplied in 18 vacuum, compound, and pressure ranges from 30" Hg vacuum through 11600 psi. The low-connected aluminum back-flanged case can be easily liquid filled in the field using the appropriate conversion kit.

Span adjustments can be accomplished from rear of case without disturbing the gauge internals. Pointer adjustments are easily made by removing ring and window.



SOLFRUNT Model 1931

SPECIFICATIONS

SIZES: 4-1/2"

ACCURACY: ±0.5% of span (Grade 2A), except where seamless stainless steel Bourdon tubes are used in following ranges: Type 316L from 10000 to 11600 psi; accuracy is ±0.5% on ascending pressure and ±1.0% on descending pressure

BOURDON TUBE: 316L seamless stainless steel/TIG welded

WINDOW: High temperature acrylic, laminated shatter-resistant glass options available

MOVEMENT: Geared movement with components of corrosion-resistant 300 series stainless steel. Movement can be removed for examination and cleaning without disturbing span and scale shape adjustments

DIAL: Aluminum with baked white background and black markings

POINTER: Anodized aluminum, micro-adjustable with black finish

CASE AND RING:

For Stem or Wall Mounting:

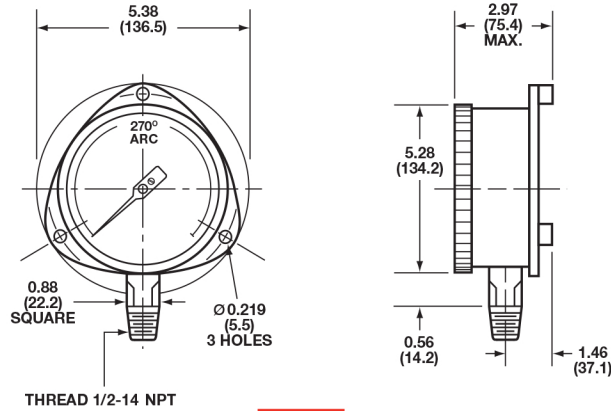
Cast aluminum, back-flanged case with bayonet ring, black finish and stainless steel pressure-relieving back (liquid fill kit available)

CONNECTION: Solid front design 316L stainless steel, 1/2-14 NPT standard (1/4-18 NPT optional)



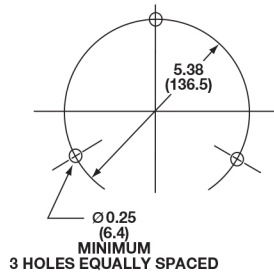
PROCESS GAUGES

SOLFRUNT® 4-1/2" Model 1931



**INCHES
(MM)**

CAST ALUMINUM CASE
MOUNTING CONFIGURATION



Spec Number Selection Chart

Model Number	1931
Bourdon Tube	316L Stainless Steel
Socket	316L Stainless Steel
Connection	LM, 1/2" NPT
Sizes	4-1/2"
Ranges*	Spec No.
0-30" Hg VAC	150215
30"-0-15 psi	150216
30"-0-30 psi	150217
30"-0-100 psi	150219
0-15 psi	150220
0-30 psi	150221
0-60 psi	150222
0-100 psi	150223
0-160 psi	150224
0-200 psi	150225
0-300 psi	150226
0-400 psi	150227
0-600 psi	150228
0-1000 psi	150230
0-1500 psi	150231
0-2300 psi	150232
0-3500 psi	150233
0-6000 psi	150234

* Metric and dual scale dials are available on all 1900 Series gauges

1/4-18 NPT available – use 155XXX when ordering

For factory liquid filling please add LG for Glycerin or LS for Silicone to the end of the spec numbers above, for example 150221LG