



**TEMPERATURE PRODUCTS**

# Model ADJ 3" and 5" Adjustable Angle Industrial Bimetallic Thermometers

**DESCRIPTION**

U.S. Gauge offers 3" and 5" heavy duty, industrial bimetallic thermometers with a versatile case and stem that can be adjusted to almost any angle for easy viewing.

The head can be rotated 360° and the stem positioning moves over 180°. These thermometers are rugged and preferred by the process, offshore, power, pharmaceutical, and chemical industries.

The threaded connection is 1/2"-14 NPT, but others are available. The thermometers may be silicone filled for additional vibration dampening. The standard lens material is glass. Standard stem diameter, up to 12" long, is .25". Other available stem sizes are .24" (6mm), .32" (8mm), and .375" (9.52mm).



**Model  
ADJ**

Dimensions			
Model	Unit	A	B
ADJ-3	inches	2.300	3.134
	mm	58.42	79.60
ADJ-5	inches	2.631	5.001
	mm	66.83	127.03

**SPECIFICATIONS**

**STEM DIAMETER:** .25" standard up to 12" stem

**CONNECTION:** 1/2"-14 NPT (others available, contact Customer Service)

**EXTERNAL RESET:** Standard

**CONSTRUCTION:** 304 stainless steel external parts and welded construction; corrosion resistant to most chemicals

**HERMETIC SEAL:** Per ASME B40.3, dustproof and leakproof

**HARNES:** All stainless steel brackets with screws that loosen to allow 360° rotation of head and 180° adjustment of stem position

**BELLOWS:** Heavy-duty flexible stainless steel, hermetically sealed at case and connection; protects mechanism that transfers temperature

**DIAL:** Cupped anti-parallax dial, easy to read from any angle, minimizes reading errors; anodized aluminum with large black numbers and graduations. Outer scale in Fahrenheit; inner scale Celsius.

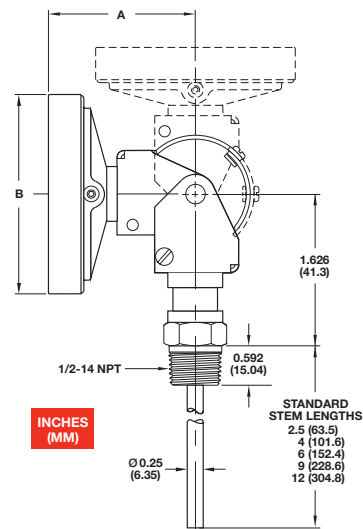
**LENS:** Glass; shatter resistant glass available as an option

**BIMETALLIC COIL:** Helix coil is silicone coated on ranges below 500°F for vibration dampening and to maximize heat transfer and response time

**ACCURACY:** ±1% full span per ASME B40.3 Grade A; adjustment of the angle between case and stem may affect accuracy up to 0.5% of span (ASME B40.3)

**OVER TEMPERATURE LIMITS:** Up to 250°F, 100%; 250° to 550°F, 50%; 550° to 1000°F, continuous use up to 800°F, intermittent use over 800°F

**LIQUID FILLED:** Silicone fill available as an option





**TEMPERATURE PRODUCTS**

# Model ADJ 3" and 5" Adjustable Angle Industrial Bimetallic Thermometers

## Spec Number Selection Chart

Model ADJ-3		3" Dial Size				
Connection	Temperature Range*	2-1/2" Stem Length	4" Stem Length	6" Stem Length	9" Stem Length	12" Stem Length
		Spec No.	Spec No.	Spec No.	Spec No.	Spec No.
1/2"-14 NPT	0° to 200° FC	415002	415008	415014	415020	415026
	0° to 250° FC	415003	415009	415015	415021	415027
	50° to 300° FC	415004	415010	415016	415022	415028
	50° to 400° FC	415005	415011	415017	415023	415029
	50° to 550° FC	415006	415012	415018	415024	415030
	200° to 1000° FC	415007	415013	415019	415025	415031
Model ADJ-5		5" Dial Size				
Connection	Temperature Range*	2-1/2" Stem Length	4" Stem Length	6" Stem Length	9" Stem Length	12" Stem Length
		Spec No.	Spec No.	Spec No.	Spec No.	Spec No.
1/2"-14 NPT	25° to 125° FC	–	415038	415045	–	–
	0° to 200° FC	415032	415039	415046	415052	415058
	0° to 250° FC	415033	415040	415047	415053	415059
	50° to 300° FC	415034	415041	415048	415054	415060
	50° to 400° FC	415035	415042	415049	415055	415061
	50° to 550° FC	415036	415043	415050	415056	415062
	200° to 1000° FC	415037	415044	415051	415057	415063

\* All dials are dual scale, Fahrenheit outer scale, Celsius inner scale. Other ranges available, please contact Customer Service.

Add LS to the part number for silicone filling; for example 415002LS. Add SR to the part number for a shatter resistant window, for example: 415032SR.